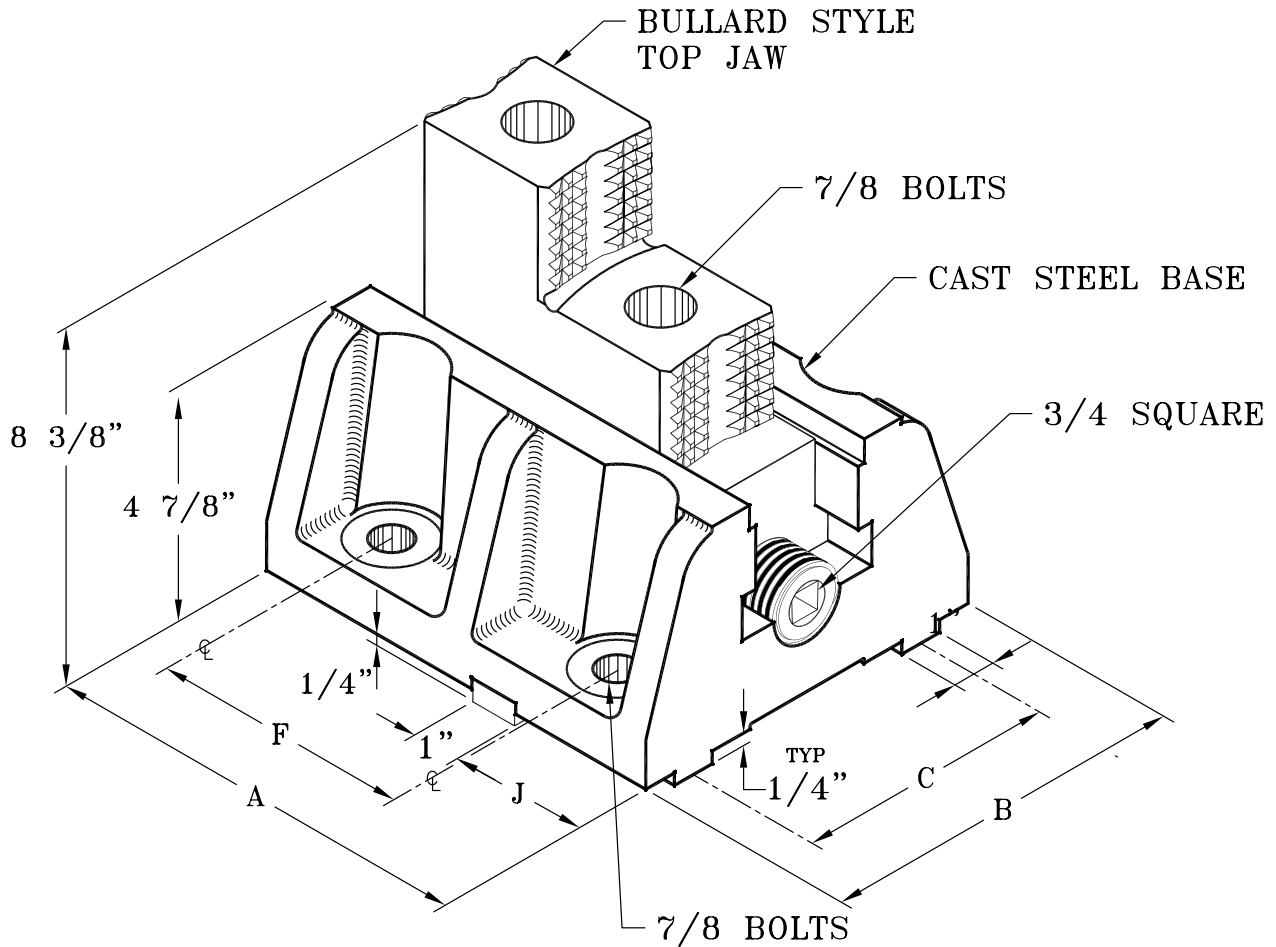


OVER 35 YEARS OF SERVICE
 TO THE WORKHOLDING INDUSTRY



BORING MILL

A	B	C	E	F	J

DATE: _____ QTY: _____ APPROVED BY _____

NOTES: