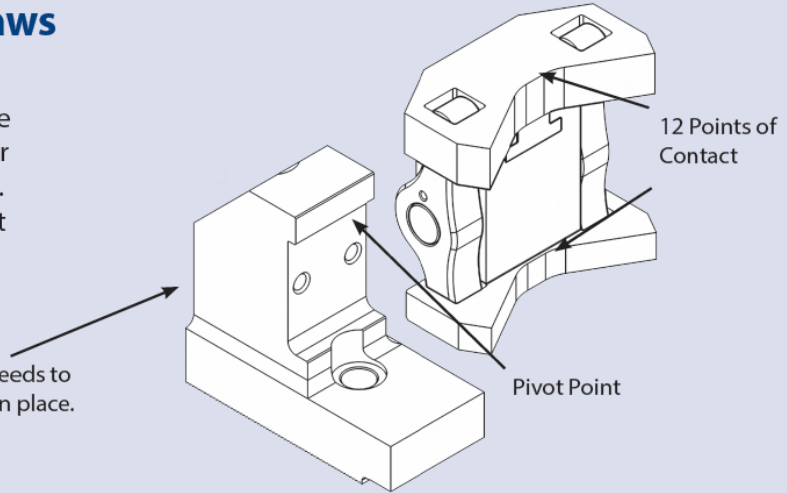


## Coupling/Rocker Jaws

Coupling/Rocker quick change jaws are custom made for your application and configuration. Call us for more information at 1-800-749-0629.

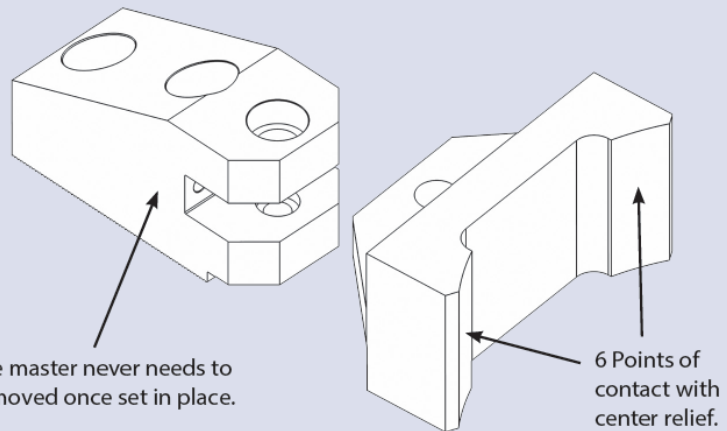
Base master never needs to be moved once set in place.



## Swivel Jaws

Swivel quick change jaws are well suited to holding pipe couplings and are customized for your configuration. Call us for more information at 1-800-749-0629.

Base master never needs to be moved once set in place.



## Flange Jaws

Flange quick change jaws are used to hold castings and forgings. Jaws are customized for your configuration. Call us for more information at 1-800-749-0629.

Base master never needs to be moved once set in place.

