

12400 ROSE ROAD  
WILLIS, TX 77378

Phone 936.856.5529

Fax 936.856.8550

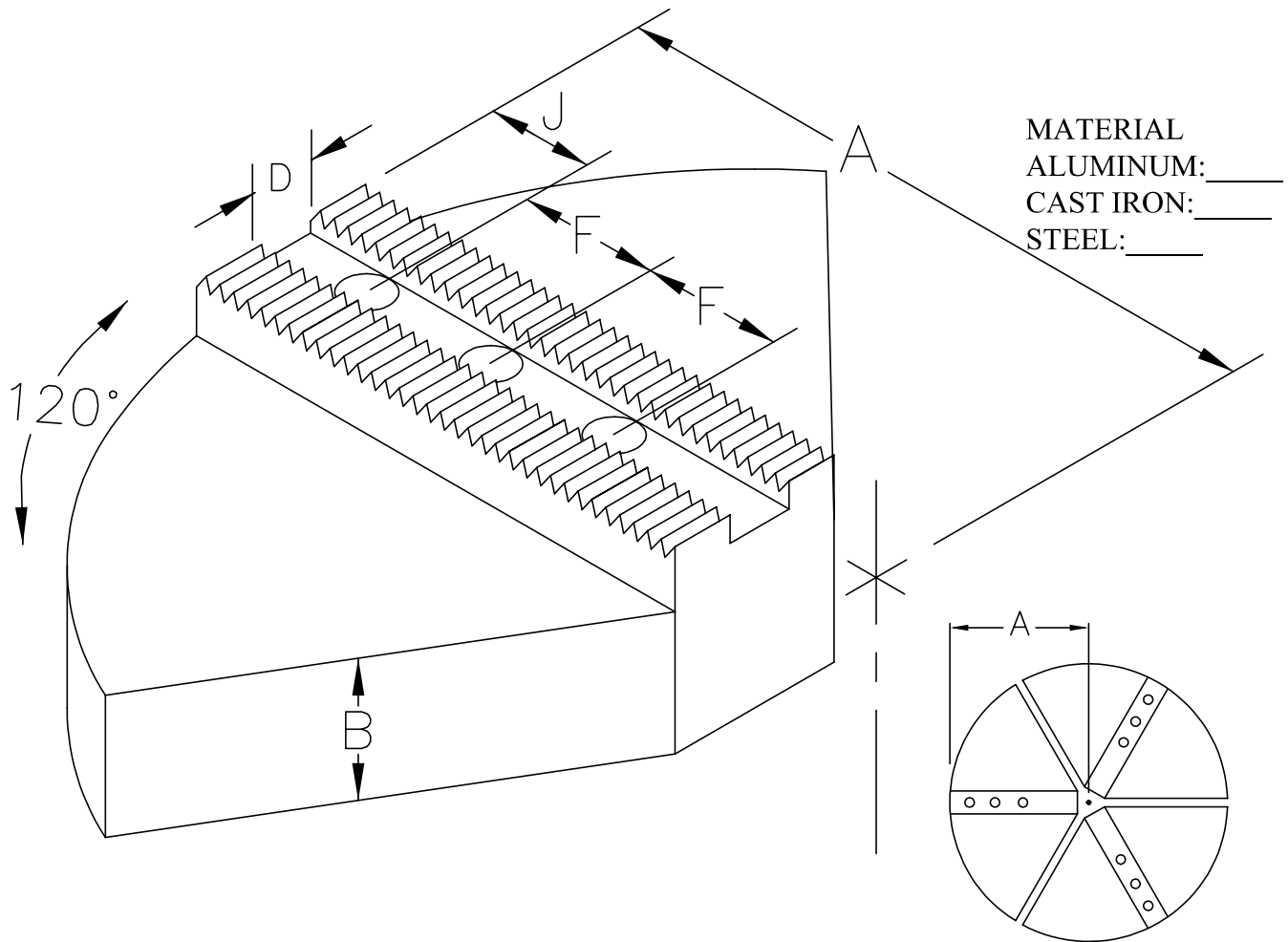
E-Mail info@hrmfg.com

Web Site www.hrmfg.com

**Mfg. and Supply, Inc.**

**OVER 35 YEARS OF SERVICE**

TO THE WORKHOLDING INDUSTRY



**SERRATED FULL WRAP JAWS**

| A | B | D | J | F | SERR. (Check one)  | BOLT |
|---|---|---|---|---|--|------|
|   |   |   |   |   | <input type="checkbox"/> 1.5mm @ 60°<br><input type="checkbox"/> 3mm @ 60°<br><input type="checkbox"/> 1/16" @ 90°<br><input type="checkbox"/> 3/32" @ 90° |      |

DATE: \_\_\_\_\_ QTY: \_\_\_\_\_ APPROVED BY \_\_\_\_\_

NOTES: